

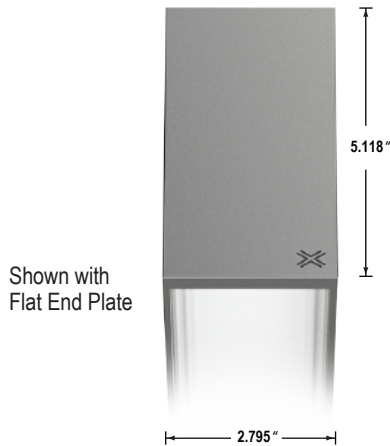
LASSO BEAM S3 - IP55 (PATTERNS)



DIRECT, INDIRECT, and INDIRECT/DIRECT

PAL Architectural Lighting introduces the new LASSO BEAM S3 - IP55. IP55/Wet Location rated for interior or exterior spaces, the S3 profile allows you to form myriad shapes and patterns - from simple curves to the most complex configurations. In addition, the BEAM S3 - IP55 is available in Direct-only, Indirect-only, and Indirect/Direct configurations.

At only 2.795" in width, the LASSO BEAM S3 - IP55 is a sleek, compact form that creates a minimal spatial footprint, while at the same time creating a striking architectural statement.



Shown with
Flat End Plate

Type:

Project Name:

Catalog Number:

SPECIFICATIONS

Housing

Constructed of extruded aluminum and available in various curve-shape lit fixtures, as well as single straight sections of nominal 2', 3', 4', 5', 6', 7' and 8' long. In combination, custom fixture patterns are available.

Lens/Diffusers - Indirect

(FAL) Frosted acrylic snap-in lens, with magnetic retention location locks.

Lens/Diffusers - Direct

(FAL) Frosted acrylic snap-in lens, with magnetic retention location locks.

Finish

Standard housing finish is textured matte white or textured matte black. Custom colors are also available.

Gear Tray/LED Module

Removeable gear tray is constructed of solid aluminum, has LED module attached and is designed for quick and simple 'single person' installation or removal.

Color Temperatures/CRI

LED light sources are available for the following Co-ordinated Color Temperatures (CCT):

Standard: 3000K, 3500K, 4000K, & 5000K

Tunable White: Variable CCT range from 2700K thru 6500K.

RGBW: (Red, Green, Blue, White) color-changing logic module is rated at 90+ CRI and is available in standard High Output and Medium Output.

Contact factory for available custom outputs.

Color Rendering Index (CRI): Standard: 90
Optional: 80

Warranty

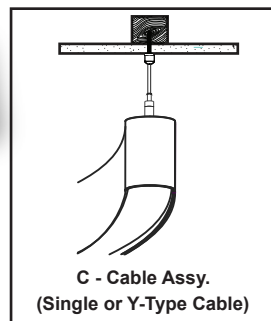
10-year limited warranty. No other warranty is expressed or implied. Complete warranty terms can be accessed by visiting:

<https://pal-lighting.com/company/warranty>

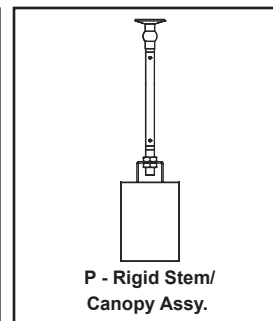
Certifications

Fixtures are UL listed for use in 'Dry or Damp Applications'. Fixtures are CE listed for the European market. Fixtures also carry an EMC rating (electromagnetic compatibility). IP55 rated against dust and moisture intrusion.

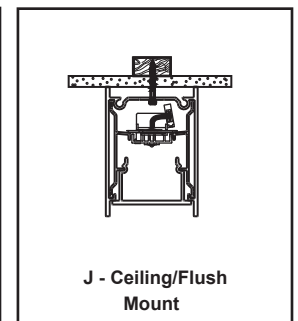
Mountings



*Link to Cable
Instructions



*Link to Rigid Stem
Instructions



*Link to Ceiling Mt
Instructions



ORDERING GUIDE

LB355 - I/D — [] — [] — [] — [] — [] — []

Series	Standard Outputs	Color Temp. (CCT)	Color Render	Straight Fixtures	Custom Shape Pattern
LB355-D LASSO BEAM S3 - IP55 DIRECT	Standard Outputs: Direct-Only or Indirect-Only: HO High Output 875 Lms/Ft MO Medium Output 475 Lms/Ft CO **Custom Output	Standard: K30 3000 Kelvin K35 3500 Kelvin K40 4000 Kelvin K50 5000 Kelvin Optional: TW 2700K thru 6500K (Tunable White) RGBW Red/Green/Blue/White (Color Changing)	90 90 CRI (Standard) 80 80 CRI (Optional)	Nominal Lengths: 2' 5' 3' 6' 4' 7' 8'	Describe Pattern: _____ _____ _____ Example: Hexagonal pattern with 3' long sides.
LB355-I LASSO BEAM S3 - IP55 INDIRECT	Indirect/Direct: HO/HO High Output - (Up/Dn) 1750 Lms/Ft (Combined) MO/MO Medium Output - (Up/Dn) 950 Lms/Ft (Combined) CO/CO **Custom Output				
LB3-I/D LASSO BEAM S3 - IP55 INDIRECT/DIRECT	*Maximum to Minimum Outputs Available: See Note #7 below				

[] — [] — [] — [] — [] — []

Curve-Shape Fixtures	Standard Connectors	Mounting	Lenses-Indirect	Lenses-Direct	Housing Color
48R (48" Radius): 48R/90 90 Deg Bend 48R/60 60 Deg Bend 48R/45 45 Deg Bend 48R/30 30 Deg Bend 33R (33" Radius): 33R/90 90 Deg Bend 33R/60 60 Deg Bend 33R/45 45 Deg Bend 33R/30 30 Deg Bend 17R (17" Radius): 17R/90 90 Deg Bend 17R/60 60 Deg Bend 17R/45 45 Deg Bend 17R/30 30 Deg Bend	Y-Shape Bend Connectors: Y-48R/45 48" Radius w/ 45 Deg Bend Y-33R/45 33" Radius w/ 45 Deg Bend Y-17R/45 17" Radius w/ 45 Deg Bend V-Shape Bend Connectors: V-48R/45 48" Radius w/ 45 Deg Bend V-33R/45 33" Radius w/ 45 Deg Bend V-17R/45 17" Radius w/ 45 Deg Bend	C Cable : Single Cable CY Cable : Y-Type Split Cable P Rigid Stem/Canopy Assembly J Ceiling/Flush Mount	FAL Frosted Acrylic Lens	FAL Frosted Acrylic Lens	F01M Textured Matte White (Std.) F11M Textured Matte Black (Std.) FCC Custom Color - RAL Color # _____

[] — UNV — [] — [] — [] — [] — []

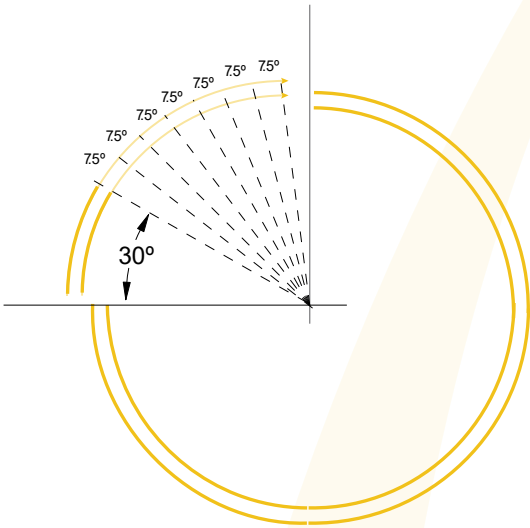
End Caps	Voltage	Drivers - Dimming	Drivers - Tun. White / RGBW	Sensor Options	EM Options	Control Options
FE Flat End Cap CE Curved End Cap	UNV Universal Voltage (120 thru 277V)	DIM10 Dimming 100% -10% DIM5 Dimming 100% - 5% DIM1 Dimming 100% -1% DIM0 Dimming 100% - 0%	TW DALI Protocol Driver -Tunable White Color Tuning RGBW DMX Protocol Driver - RGBW Red/Green/Blue/White Color Tuning	OCC Occupancy/ Motion Sensor DS Daylight/ Photocell Sensor	EBPH Emergency Battery Pack	0-10V 0-10V Protocol DALI DALI Protocol (Tunable White) DMX DMX Protocol (RGBW) CASAMBI Casambi Protocol Wireless Control System

Notes:

- All fixtures are factory pre-wired for a single circuit. Provisions for multiple switching/circuiting is optional.
- Straight fixtures and 48R (48" Radius) arc segments contain integral drivers. Arc segments below 48R have remote drivers.
- Standard power supply (driver) is UL recognized, and is available with 0-10V dimming capability as well as 120 thru 277 universal voltage.
- Tunable White power supply (driver) is UL recognized, and is compatible with DALI control protocols.
- RGBW power supply (driver) is UL recognized, and is compatible with DMX control protocols.
- LASSO Beam S3 - IP55 fixture is IP55 rated for indoor or outdoor use where wet location fixtures are required.
- Maximum to Minimum Outputs Available:

Direct-only or Indirect-only:
Using 90+ CRI Driver: 198 Lms/Ft thru 1219 Lms/Ft
Using 80+ CRI Driver: 381 Lms/Ft thru 1265 Lms/Ft
Indirect/Direct: (Total of Up and Down Apertures)
Using 90+ CRI Driver: 396 Lms/Ft thru 2438 Lms/Ft
Using 80+ CRI Driver: 762 Lms/Ft thru 2530 Lms/Ft

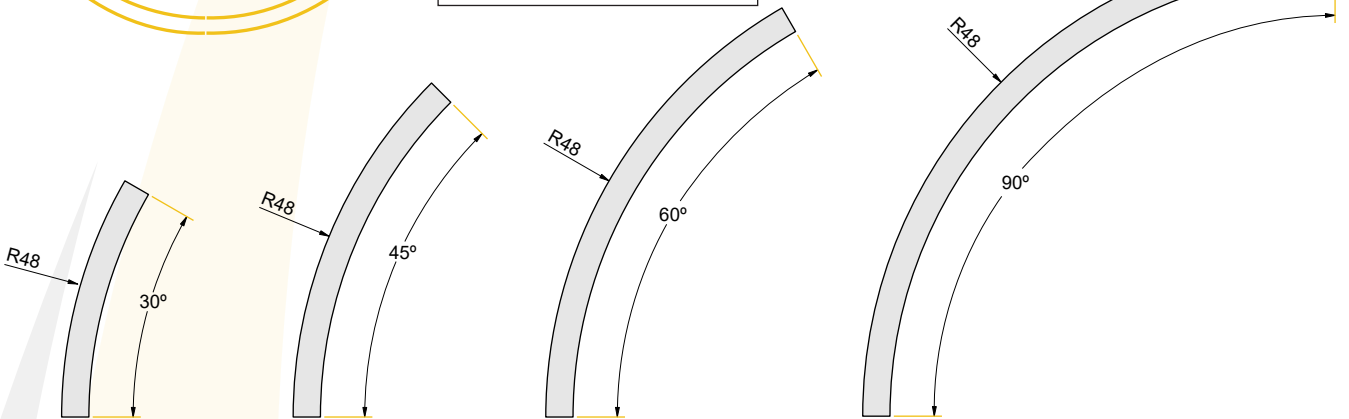




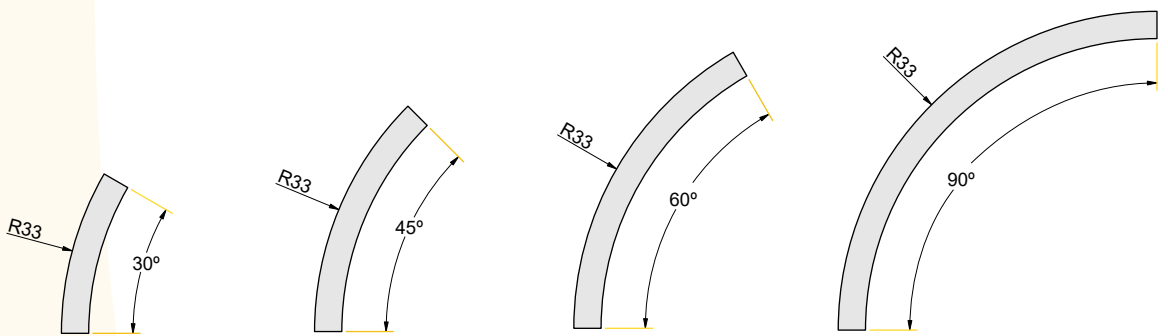
Minimum 30° segment, then each segment can be increased in 7.5° increments. Arc segments below 48R have remote drivers.

LASSO BEAM S3 - IP55

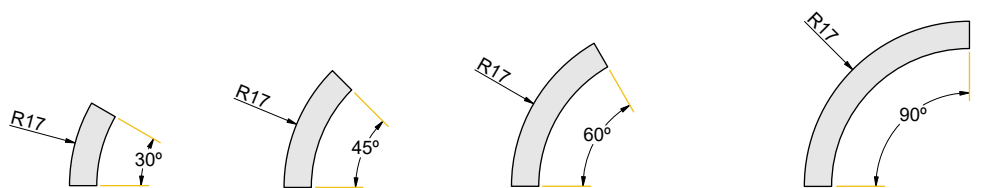
Standard Bend Options



48R (48" Radius)



33R (33" Radius)

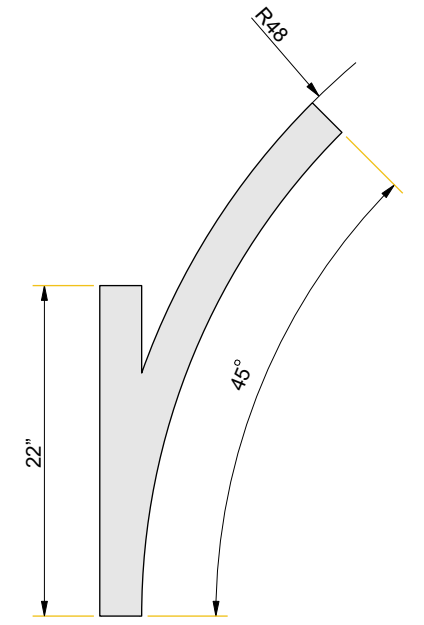
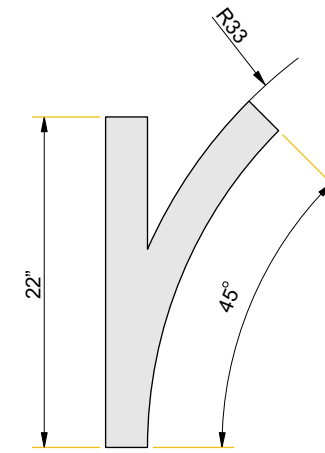
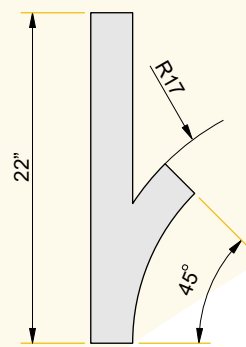


17R (17" Radius)

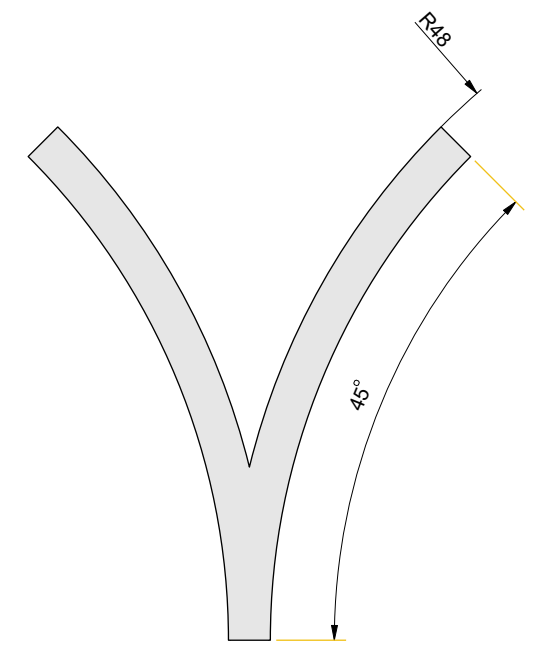
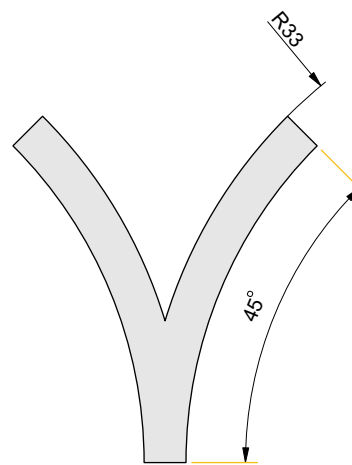
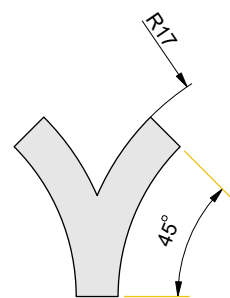
*Other custom radii available on request

All radii bends can have integral drivers provided they ajoin a straight section or are ≥ 48R

LASSO BEAM S3 - IP55 Standard Connections



Y Bends



V Bends

* Other options available upon request.



Data Table



LASSO BEAM S3 - IP55					
LED Engine	4ft Length	Luminous Flux (Standard) (Del'd Lms - Direct or Indirect Only)	MO 1900	HO 3500	4ft Length Luminous Flux (Standard) MO HO (Del'd Lms - Indirect/Direct) 3800 7000
	Standard	CRI	90+		
Lumen Maint / Max-Min Outputs		82,000 Hours (L80 B10 @ 35°) / DIRECT: 198 thru 1219 Lms/Ft IND/DIRECT: 396 thru 2438 Lms/Ft			
Lower CRI	CRI	80+			
	Lumen Maint / Max-Min Outputs	114,000 Hours (L90 B10 @ 50°) / DIRECT: 381 thru 1265 Lms/Ft IND/DIRECT: 762 thru 2530 Lms/Ft			
Warranty	Standard CRI (90+)	10 Years			
	Lower CRI (80+)	10 Years			
Electrical	Power Consumption	Between 6 and 14 W/Ft			
	Voltage input range	120 – 277V (UNV)			
	Controls	0-10 volts / Dali Control Gear / DMX / Dimmer switch / Constant light output / Motion sensor / Ripple free / Bluetooth mesh / Casambi control wireless system			
	Total harmonic distortion THD	9.8% max			
	Approvals / Certifications	UL / CE			
Physical	Dimensions	2.795" Wide X 5.118" High			
	Weight per Foot	3.09 lbs - average weight			
	Housing	Aluminium extrusion / powder-coated finish only			
	Diffuser - Upper Aperture	Frosted Acrylic Lens			
	Diffuser - Lower Aperture	Frosted Acrylic Lens			
	Accessories	Various connection shapes available			
	Connections	Speed Connect Joining System with Polarized electrical connection between sections			
	Compatible ceiling type	Suitable for gyprock (drywall) ceilings, metal pan, concrete, timber and T-bar grid ceilings			
	Mounting	Cable (Single or Y-Type), Rigid Stem, Ceiling Mount			
	Bend Radii - (Inches)	17R / 33R / 48R as standard with custom radii available			
	Mitre Bend Options	Lit corner 90° / Cross 90° / Tee 90° / Straight 180° (No unlit)			
	Endplate Options	Flat or optional curved end plates.			
	Operating temperatures	Standard (90+ CRI) = - 25° C to 35° C (-13° F to 95° F) Lower CRI (80+ CRI) = -25° C to 50° C (-13° F to 140°F)			
	Environment	DIRECT: IP55 rated INDIRECT/DIRECT: IP55 rated down & IP50 rated up (Covered areas)			
	Minimum length adjustment	Standard (90+) = 0.984" Lower CRI (80+) = 0.0394"			
	LED Board types	90+ CRI: Boards in 1.97" / 11.02" / 22.04" lengths. (Zhaga compatible) 80+ CRI: Boards in 0.98" / 3.94" / 22.04" lengths. (Zhaga compatible)			
	Configurations	Direct (Down only) / Indirect (Up only) / Indirect-Direct (Up/Down)			

Leak-free light system

There are no light leaks in the usual places like end plates, diffuser expansion gaps, and at joints where two or more pieces are connected together. The light leak-free system ensures no light leaks by incorporating the Speed-Connect joining system along with innovative end plates.

Patented flat end plate is complete with 'magnetic snap' cover plate

A 7.50° arc = the industry's smallest arc adjustment

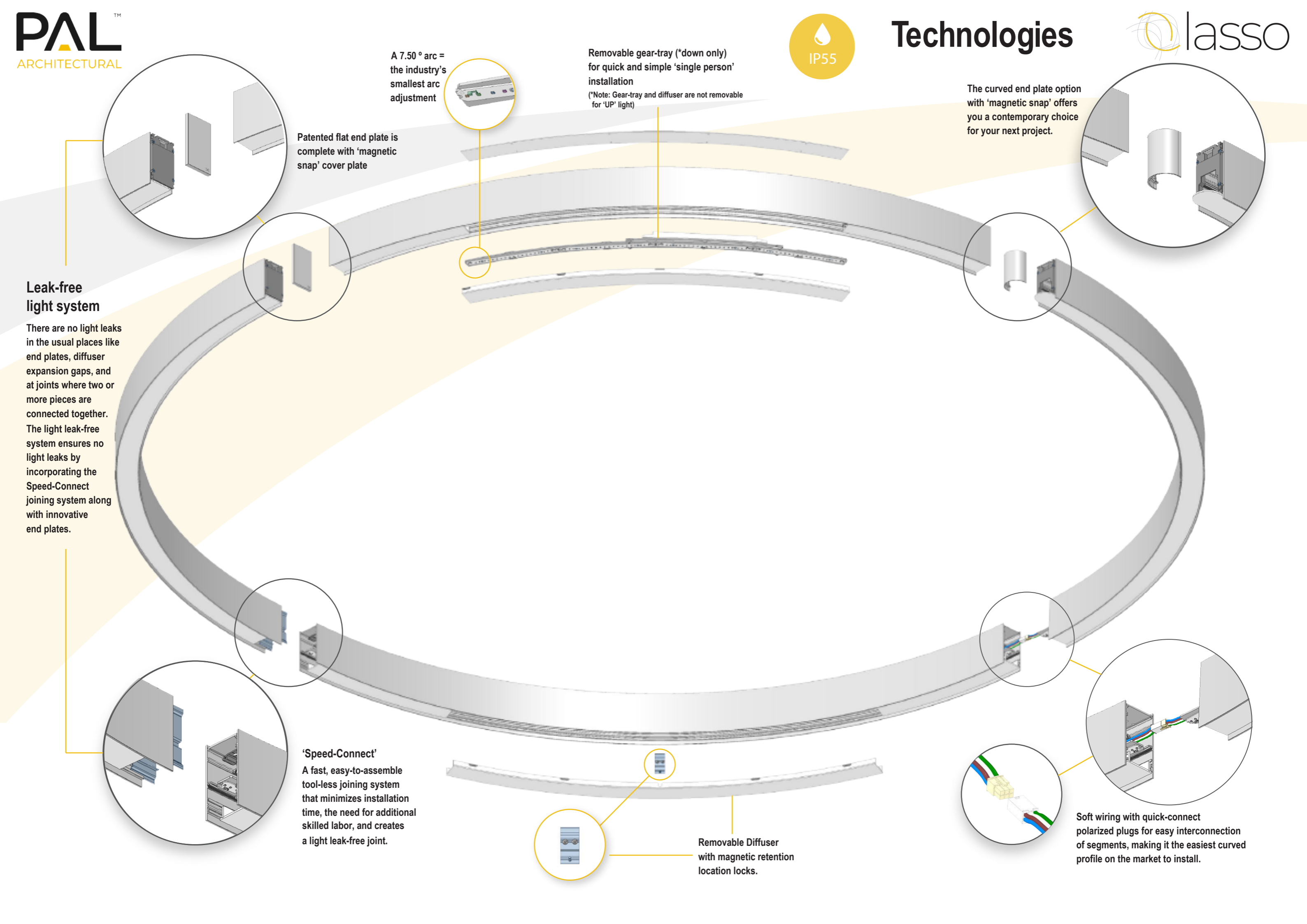
Removable gear-tray (*down only) for quick and simple 'single person' installation
(*Note: Gear-tray and diffuser are not removable for 'UP' light)

The curved end plate option with 'magnetic snap' offers you a contemporary choice for your next project.

'Speed-Connect'
A fast, easy-to-assemble tool-less joining system that minimizes installation time, the need for additional skilled labor, and creates a light leak-free joint.

Removable Diffuser with magnetic retention location locks.

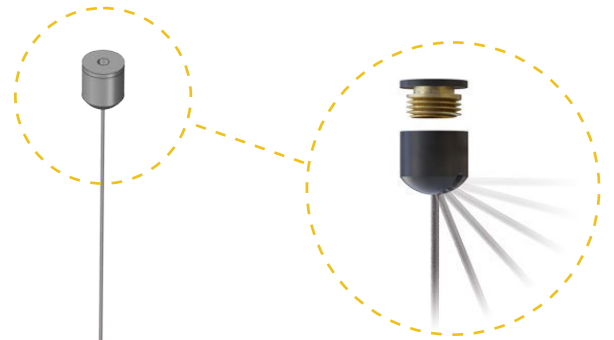
Soft wiring with quick-connect polarized plugs for easy interconnection of segments, making it the easiest curved profile on the market to install.



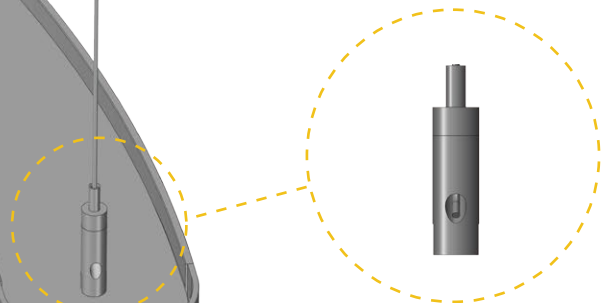
LASSO BEAM S3 - IP55

Fully Adjustable Cable/Rollerball Suspension

A smart suspension system that can be mounted on any ceiling, whether flat or sloped.



Custom rollerball cable barrel allows fixture to hang plumb, even on sloped surfaces.

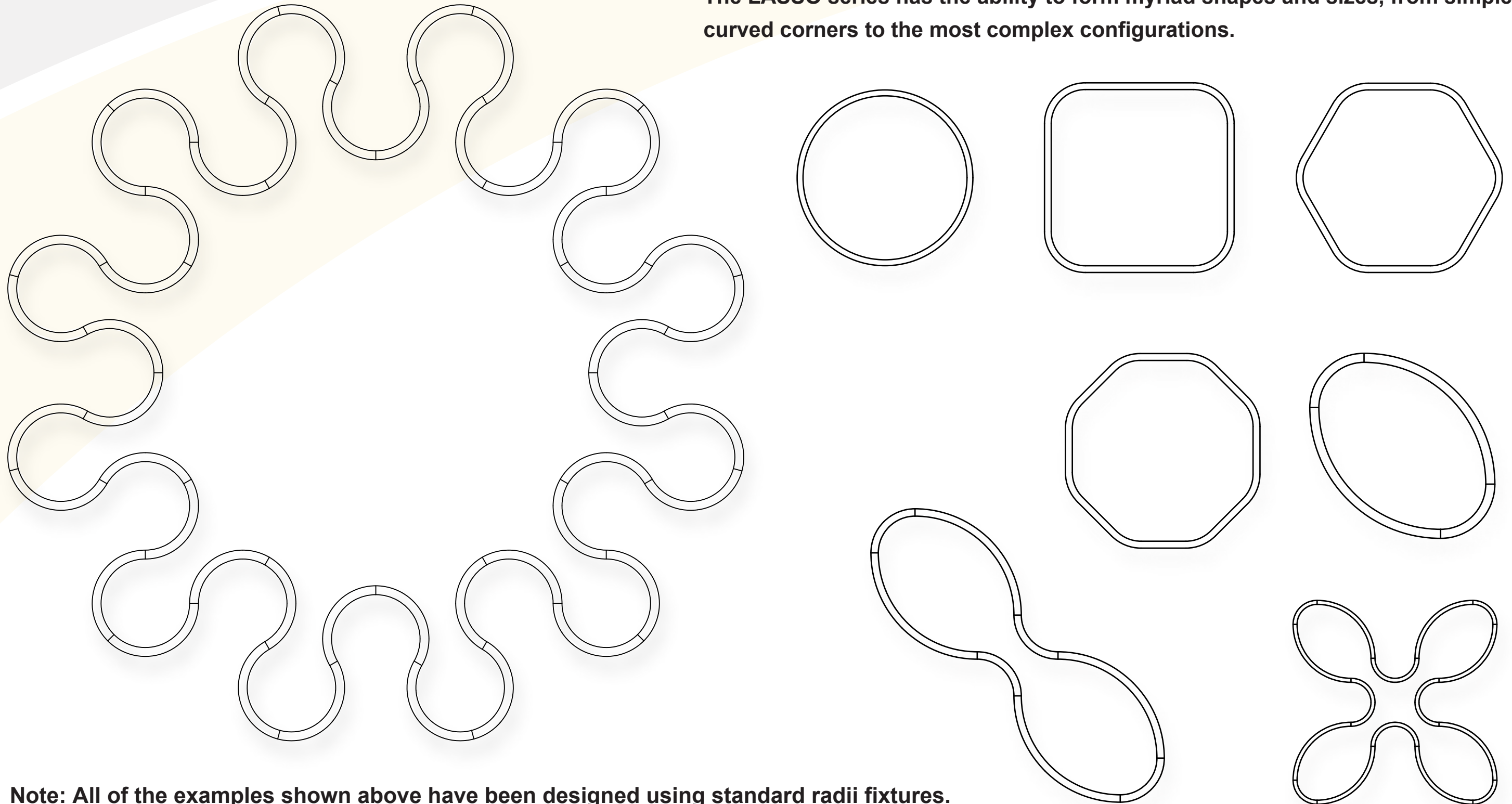


Adjustable cable barrel allows for suspension adjustment up or down.

LASSO BEAM S3 - IP55

Some examples of Shapes & Sizes

The LASSO series has the ability to form myriad shapes and sizes, from simple curved corners to the most complex configurations.



Note: All of the examples shown above have been designed using standard radii fixtures.